



MODEL TEVFF-10S

VERTICAL FORM FILL SEAL, SMALL
MOBILE AUTOMATIC PUMP-FILL STATION

GENERAL DESCRIPTION

The TUCS MOBILE FORM/FILL/SEAL SMALL FRAME PACKAGING MACHINE significantly reduces packaging labor and material costs. The Tucs vertical form-fill-seal is a simple, accurate, and easy to operate machine which forms a flexible lay-flat pouch that uses a film roll. The TEVFF-10S rolls the film into a tube and produces a seam with a final horizontal heat seal before separation with cutting blades. This versatile machine can make a variety of pouches and can readily accommodate wet products or a combination of wet and dry (two-part fills). Volumetric filling is accomplished by an onboard, highly accurate, repeatable, and gentle piston pump.



Small Frame Tucs Mobile Form/Fill/Seal Packaging Machine

CERTIFICATIONS

NSF/ANSI-169, ANSI/UL-763



TUCS Equipment, Inc.
755 County Road 18 S. • Princeton MN 55371
Phone 763-574-7475 Fax 763-574-7472
www.tucsequipment.com

ITEM NO.

PROJECT

QUANTITY

AIA NO.

CONSTRUCTION & FEATURES

All stainless-steel construction type 316L product contact surfaces, type 304L elsewhere ■ Mounted on 4 locking swivel casters ■ No clutches or brakes to wear out ■ Quick changeover between pouch sizes ■ Lexan front and side guards ■ Up to 22 pouches per minute ■ Minimum pouch: 1 3/16" x 2" ■ Maximum pouch: 10" x 36"

POUCH FORMING

Automatic film tracking ■ Supplied with forming shoulder to yield a maximum 10" lay-flat pouch (1/2–2 gallons)

HEAT SEALS

Single bar vertical lap seal approximately 1/4" wide ■ Two horizontal heat seal bars one for top of pouch, other for bottom of following pouch

FILL NOZZLE

Fill nozzle extends into partially formed pouch to eliminate splashing ■ Dripless cut-off prevents dripping between pouches ■ Standard 2 1/2" nozzle sized for 1/4" particulate ■ Other sizes available

VOLUMETRIC PISTON PUMP

Standard metering barrel quickly adjustable from 1 quart to 1 gallon per stroke ■ Rotary valve sized for hot fill (160°F–190°F fill temperatures) – other fill temperatures available (VERIFY TEMPERATURES) ■ Compressed air operation. No electrical connections required for pump ■ Spare Parts Kits for Bagger and Pump

CONTROLS

Allen Bradley Programmable Logic Controller (PLC), contained within NEMA 4X control box with remote diagnostics from the factory ■ Pendant-mounted menu driven touch screen (HMI) operator interface

EXIT CONVEYOR

Supports the pouch during filling and removes the pouch after separation ■ 40" long with 12" wide FDA approved belting ■ Variable speed drive

OPTIONS

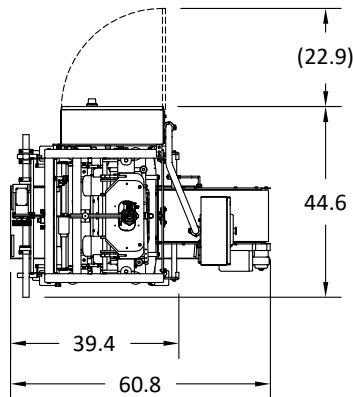
- Fill temperature monitoring
- Thermal transfer printing on pouch (verify label size)
- Notched seal area for easy opening
- Cold fill Piston Filler accessories (verify temperature)
- 1 pallet of film (12 rolls, 2500-ft long)
- Printer with 5 rolls of ribbon
- Spray curtain for film roll
- Piston Filler Changeover Kit

Printed in the USA | Revised 07-12-21

MODEL TEVFF-10S

VERTICAL FORM FILL SEAL, SMALL
MOBILE AUTOMATIC PUMP-FILL STATION

Scan this QR code with your
smart phone to visit our website
for more information.

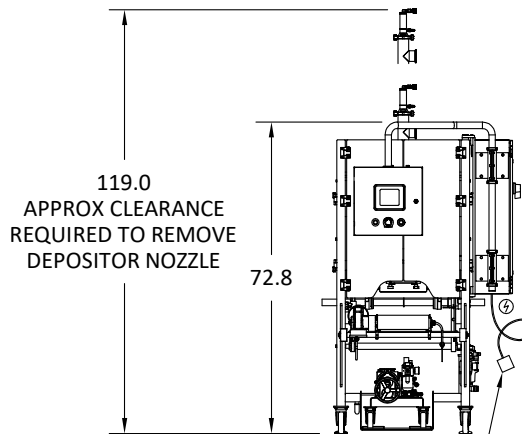
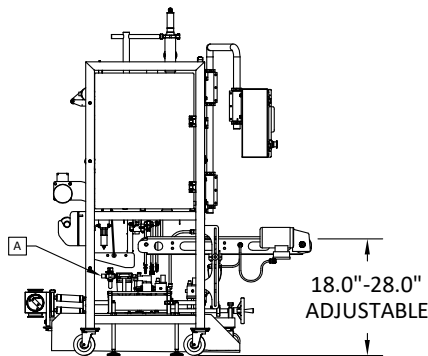


INCLUDED AS STANDARD

- 2½" NOZZLE (FOR 1¼" PARTICULATE)
- 10" SHOULDER
- HOT FILL PISTON FILLER ACCESSORIES (160°F - 190°F)
- TEITP - INLET TUBING PACKAGE
- ½" x 10' AIR HOSE
- SPARE PARTS PACKAGE
- TEBK - CLEANING BRUSH KIT

OPTIONS

- FILL TEMPERATURE MONITORING
- THERMAL TRANSFER PRINTING ON POUCH
- NOTCHED SEAL AREA FOR EASY OPENING
- COLD FILL PISTON FILLER ACCESSORIES
- 1 PALLET OF FILM (12 ROLLS, 2500' LONG)
- PRINTER W/5 ROLLS OF RIBBON
- SPRAY CURTAIN FOR FILM ROLL
- PISTON FILLER CHANGEOVER KIT **(VERIFY PRIOR TO ORDERING)**

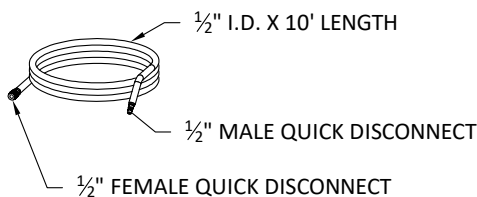


12' CORD W/ 28W75 NON-NEMA, WATER TIGHT, 20A,
120/208V, 3 PHASE, 4 POLE, 4 WIRE PLUG
(CONNECTING 29W75 FEMALE RECEPTACLE INCLUDED)

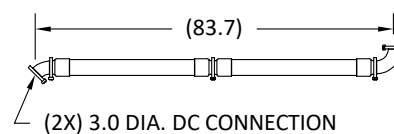
| UTILITIES | | |
|-----------|-------------|---------------------------------------|
| SYM | DESCRIPTION | UTILITY CONNECTION |
| ⚡ | ELECTRICAL | 16 FLA @ 208-240 VAC/3 PH/60 HZ |
| A | AIR SUPPLY | ½" QUICK DISCONNECT - 30 CFM @ 90 PSI |

| RECOMMENDED CLEARANCES | |
|------------------------|-----|
| RIGHT SIDE | 36" |
| BACK | 36" |
| LEFT SIDE | 24" |

½" X 10' AIR HOSE



3.0 DIA. FLEXIBLE INLET HOSE - TEITP



7/12/2021

Due to continuous improvements, specifications subject to change without notice.

© 2021 TUCS Equipment. All Rights Reserved. Printed in the USA.