



MODEL TEIBR-XXX

ICE BUILDER REPLACEMENT

GENERAL DESCRIPTION

The TUCS TEIBR-XXX heat exchanger is a small footprint, round, insulated tank that has internal refrigeration coils. It is designed to replace and ice builder. Water can be pumped through the tank and chilled to 33 to 35 degrees (F) and used for cooling product in a chiller, or the tank can chill glycol and then be pumped to a glycol/water heat exchanger for cooling product in a chiller.



TEIBR Pictured

CERTIFICATIONS

ANSI/UL-197, NSF/ANSI-4



TUCS Equipment, Inc.
755 County Road 18 S. • Princeton MN 55371
Phone 763-574-7475 Fax 763-574-7472
www.tucsequipment.com

ITEM NO.

PROJECT

QUANTITY

AIA NO.

CAPACITIES

135, 200, 290 gallon standard working water capacity.

CONSTRUCTION & FEATURES

Round stainless steel body ■ Foam insulated tank ■ 3/4" refrigeration tubing coiled for the refrigeration ■ Coils can be used with any type of refrigerant or ammonia ■ Potable or process water can be circulated in direct contact with the refrigeration coils and used as process water ■ Process liquid enters the top of the tank, swirls around and discharges out the bottom ■ Connections in and out of tank for process water are dairy clamp ■ Regenerative blower is used to agitate the tank liquid ■ Stainless steel hinged access door ■ Stainless steel skid mounted with water pump and control panel

CONTROLS

Attached stainless steel control panel NEMA 4X ■ Temperature control of potable or process water with temperature read out ■ Pump control ■ Refrigeration control

REFRIGERATION

Not supplied. See options.

OPTIONS

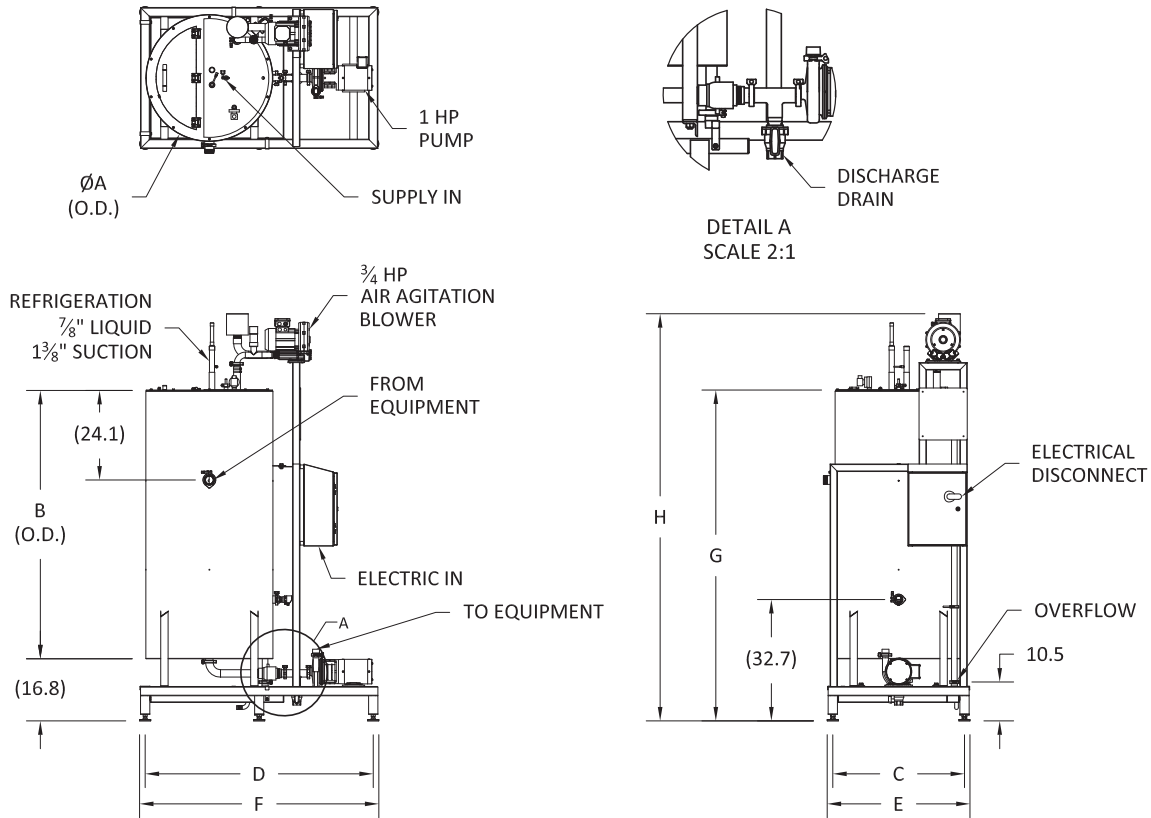
Recommended Refrigeration

- TEIBR 220 Single 12 or 15HP Cond./Compressor
- TEIBR 330 Double 12 or 15HP Cond./Compressor
- TEIBR 440 Double 22 or Triple 15HP Cond./Compressor
- Custom sizes can be manufactured to fit other existing refrigeration systems
- System can be outfitted to chill glycol

MODEL TEIBR-XXX

ICE BUILDER REPLACEMENT

Scan this QR code with your smart phone to visit our website for more information.



NOTES:

1. DIMENSIONS SUBJECT TO CHANGE WITHOUT NOTICE. CHECK WITH FACTORY.
2. FOUR 14GA YELLOW WIRES MUST BE RUN BETWEEN THE TEIBR- AND EACH DEVICE REQUIRING CHILLING VIA ONE 1/2" CONDUIT PER DEVICE. PROVIDED BY OTHERS.
3. REFRIGERATION CIRCUIT QUANTITY DETERMINED PER APPLICATION.
4. SOLENOIDS AND EXPANSION VALVES TO BE PROVIDED BY REFRIGERATION SUPPLIER.

UTILITY CONNECTIONS

SIZE	SUPPLY IN	FROM EQUIPMENT	DISCHARGE DRAIN	OVER FLOW	TO EQUIPMENT	REFRIGERATION	
						LIQUID	SUCTION
ALL	3/4" DC	2" DC	1 1/2" NPT	1 1/2" DC	1 1/2" DC	7/8"	1 3/8"

DIMENSIONS AND REQUIREMENTS

MODEL #	TANK SIZE		FOOTPRINT		FRAME		HEIGHT		COILED FOR (BTU'S/HR)	CONDENSER QTY x SIZE	WATER CAPACITY	ELECTRIC 3 PH/60 Hz		
	A	B	C	D	E	F	G	H				208V	240V	480V
TEIBR-220	Ø34"	60"	35.5"	61.5"	38"	64"	89"	98"	230,000	2 x 11 HP	135 gal	10.0 A	8.7 A	4.4 A
TEIBR-220T	Ø34"	72"	35.5"	61.5"	38"	64"	89"	110"	230,000	2 x 11 HP	135 gal	10.0 A	8.7 A	4.4 A
TEIBR-330	Ø40"	57"	41.5"	67.5"	44"	70"	89"	98"	270,000	2 x 15 HP	200 gal	10.0 A	8.7 A	4.4 A
TEIBR-330T	Ø40"	72"	41.5"	67.5"	44"	70"	89"	110"	270,000	2 x 15 HP	200 gal	10.0 A	8.7 A	4.4 A
TEIBR-440	Ø46"	60"	33.5"	63.5"	36"	66"	92"	98"	405,000	3 x 15 HP	290 gal	10.0 A	8.7 A	4.4 A
TEIBR-440T	Ø46"	75"	33.5"	63.5"	36"	66"	92"	110"	405,000	3 x 15 HP	290 gal	10.0 A	8.7 A	4.4 A