



BAGGER ACCESSORIES

VERTICAL FORM/FILL/SEAL OPTIONS

MARKEM-IMAJE THERMAL CODER PRINTER

For the printing of product or production information onto each pouch.

- Can print 300 dpi codes on flexible packaging film at more than 350 packs per minute
- Includes CoLOS Create 5.5 software
- Image and bar code printing
- Provided with 5 rolls of ribbon
- Color LCD and touch screen for message selection, print preview. Full diagnostic including printhead statistics
- Internal software and slots for serial and parallel connection to external PC & USB
- SmartDate X40-55mm has a 2.1" x 3" print area
- SmartDate X60-107mm has a 4.2" x 3" print area



Integrated Pouch Printers

CERTIFICATIONS

Pending



TUCS Equipment, Inc.
 755 County Road 18 S. • Princeton MN 55371
 Phone 763-574-7475 Fax 763-574-7472
www.tucsequipment.com

ITEM NO.

PROJECT

QUANTITY

AIA NO.

MODEL TEFC FILM CART

Enables quick film changeover while in production.

- Mounted on 4 locking swivel casters with polyurethane wheels
- All stainless-steel construction, 304L
- Extra film shaft
- Extra set of film hubs and locking collars

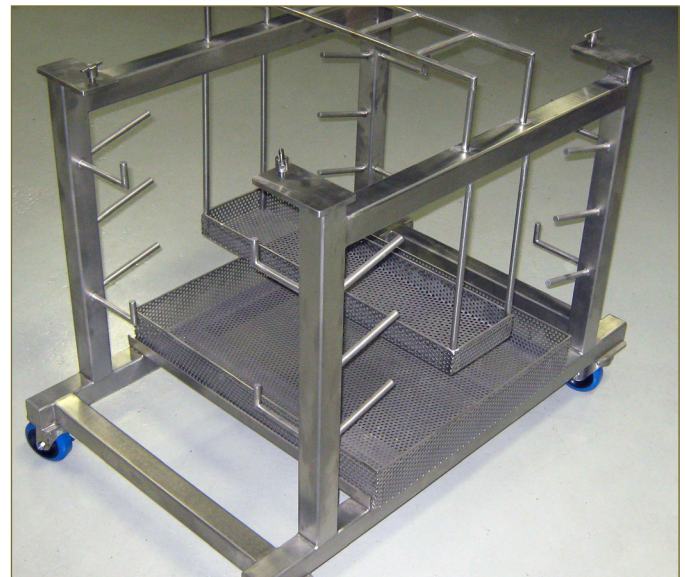


Model TEFC Film Cart

MODEL TEBAC STORAGE CART

Bagger accessories storage cart.

- Mounted on 4 locking swivel casters with polyurethane wheels
- All stainless-steel construction, 304L
- Holds 2 forming shoulders
- Storage of clamps, gaskets, hoses, tubing, etc.



Model TEBAC Storage Cart

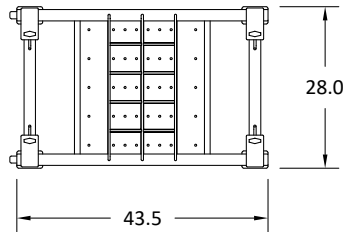
BAGGER ACCESSORIES

VERTICAL FORM/FILL/SEAL OPTIONS

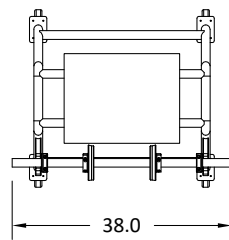
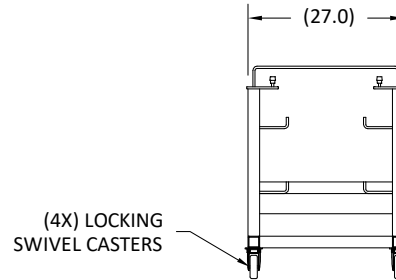
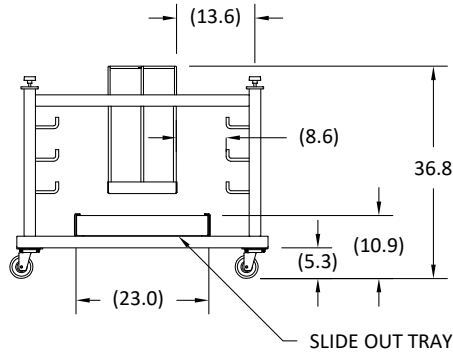
Scan this QR code with your smart phone to visit our website for more information.



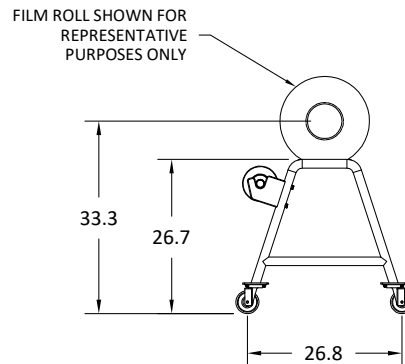
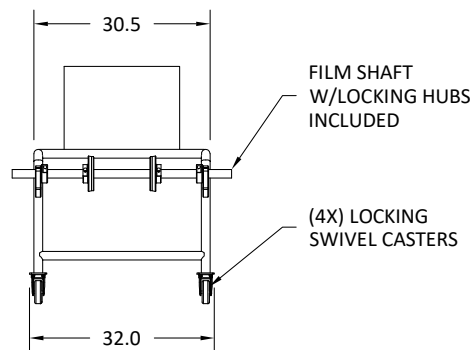
TUCS MODEL TEBAC & TEFC



TUCS MODEL TEBAC
"BAGGER" ACCESSORY CART



TUCS MODEL TEFC
FILM CART



8/31/2020

Due to continuous improvements, specifications subject to change without notice.

© 2020 TUCS Equipment. All Rights Reserved. Printed in the USA.